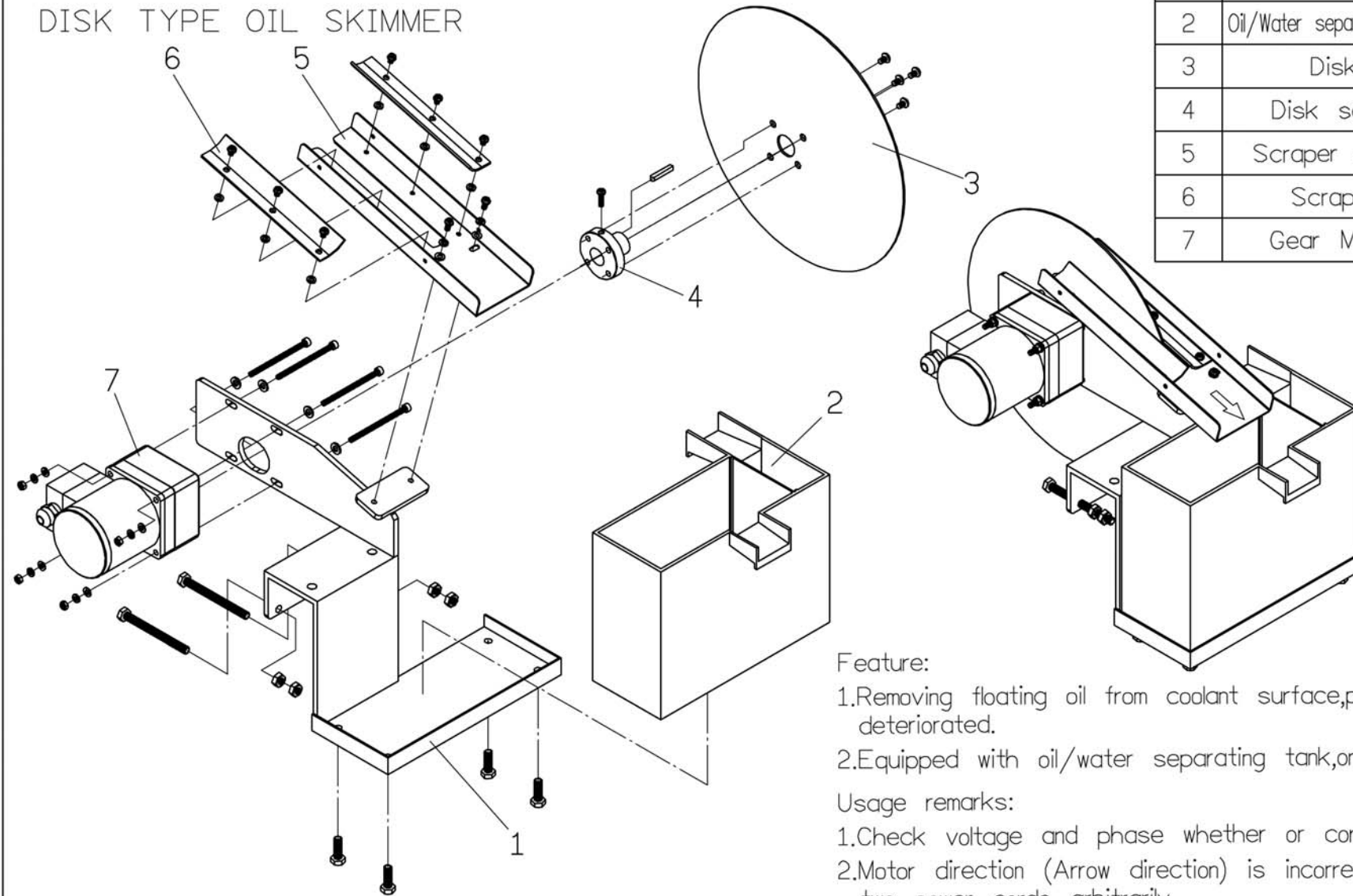


DISK TYPE OIL SKIMMER

No	PARTS Name	Q	Material
1	Frame	1	
2	Oil/Water separating tank	1	
3	Disk	1	SUS304
4	Disk setter	1	
5	Scraper setter	1	SUS304
6	Scraper	2	PE(oil proof)
7	Gear Motor	1	25W;1/180



Feature:

- 1.Removing floating oil from coolant surface,preventing coolant become deteriorated.
- 2.Equipped with oil/water separating tank,only remove the floating oil.

Usage remarks:

- 1.Check voltage and phase whether or correct before power on.
- 2.Motor direction (Arrow direction) is incorrect,and then exchange two power cords arbitrarily.