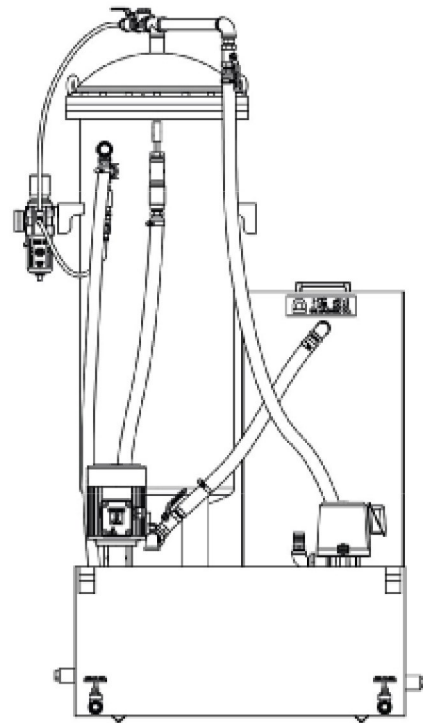
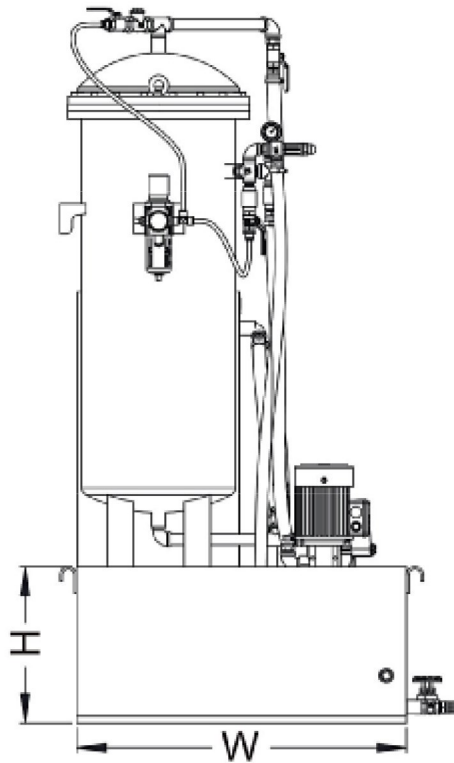
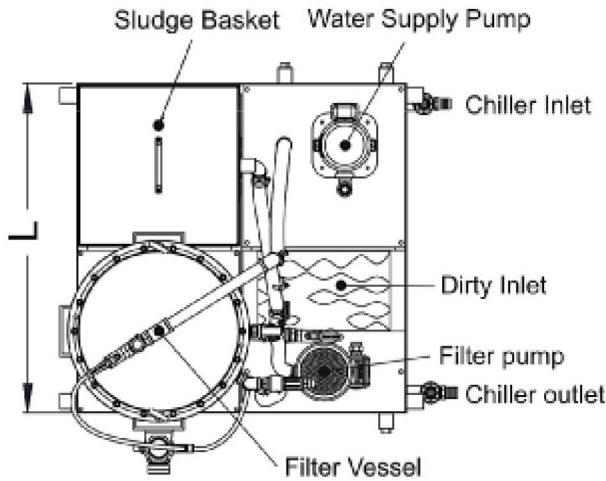


CFM-Series Candle Filter



Model	Vessel Diameter	Candle Qty.	Flow Rate lpm (gpm)	L	W	H	Clean Supply Pump	Tank Volume Liters (gallons)
CF2M	216mm	9	13.5 (3.5)	815	815	390	1/8-hp	220 (58)
CF3M	300mm	19	28 (7.4)	815	815	390	1/8-hp	220 (58)
CF4M	400mm	37	55 (14.5)	815	815	390	1/4-hp	220 (58)
CFM	500mm	61	90 (16.1)	1220	865	480	1/2-hp	460 (122)

Optional chiller can be installed to control coolant temperature

Custom capacities upon request

If grinding steel it is recommended to pre-filter with a magnetic separator