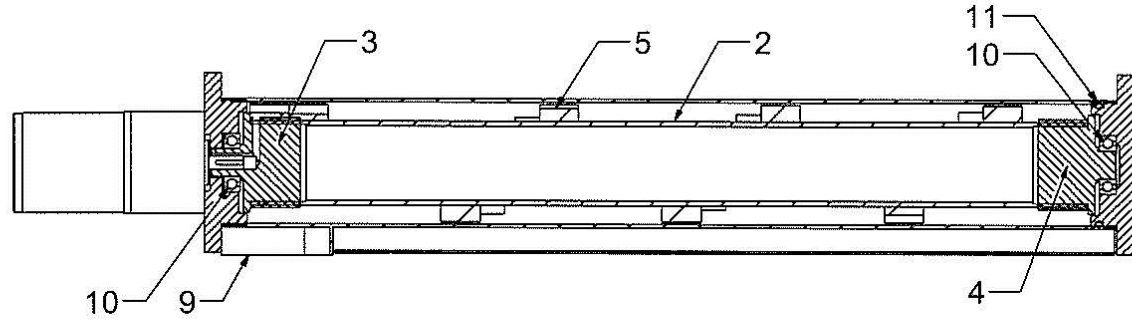
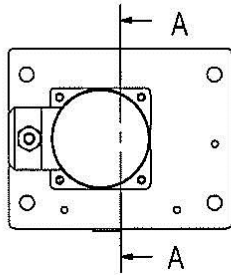


SCM/SCM-2 Magnetic Screw Conveyor



Item	Description	Part Number
1	Outer Tube	SCM2-1
2	Inner Tube	SCM2-2
3	Shaft, Drive Side	SCM2-2A
4	Shaft, driven Side	SCM2-2B
5	Magnet	SCM2-M
6	Bearing Seat (Drive Side)	SCM2-4A
7	Bearing Seat (Driven Side)	SCM2-4
8	Trough	SCM2-5
9	Scraper	SCM1
10	Bearing	6205 LLU
11	D-Ring	P100
12	Motor	>>
13	Gear Box	>>

