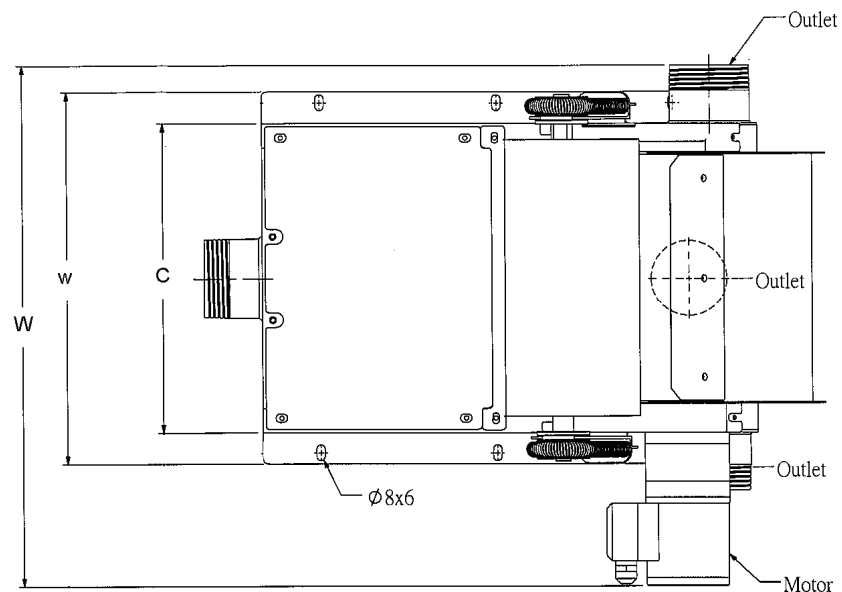
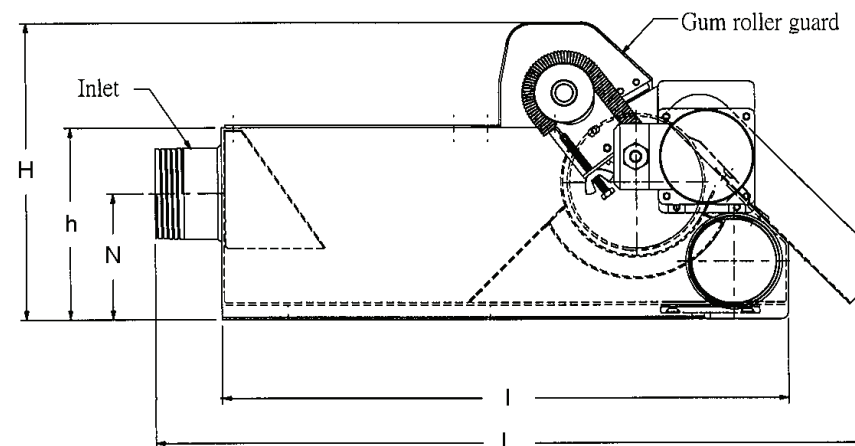


# MK1-Series Ferrite Magnetic Separator

## MK2-Series Rare Earth Magnetic Separator



Top View



Side View

Unit / mm

Model	Flow Rate gpm / lpm	L	I	W	w	H	h	N	Inlet	Outlet	Drive Motor
<b>MK1-30</b>	7 / 30	434	318	392	250	227	139	79	PT-1.5"	PT-1.5"	25W
<b>MK1-40</b>	10 / 40	502	386	392	250	227	139	79	PT-1.5"	PT-1.5"	25W
<b>MK1-60</b>	16 / 60	579	462	427	285	240	152	97	PT-2"	PT-2"	25W
<b>MK1-80</b>	21 / 80	597	462	462	320	240	152	97	PT-2"	PT-2"	25W
<b>MK1-100</b>	26 / 100	589	470	497	355	248	160	105	PT-2.5"	PT-2.5"	25W
<b>MK1-150</b>	39 / 150	616	490	569	425	258	170	112	PT-3"	PT-3"	25W
<b>MK1-180</b>	47 / 180	600	490	639	495	265	177	122	PT-3"	PT-3"	25W
<b>MK1-240</b>	63 / 240	651	510	709	565	295	207	142	PT-3"	PT-3"	25W
<b>MK1-300</b>	79 / 300	651	510	849	705	295	207	142	PT-4"	PT-4"	25W

Flow rate is 1/4 ~ 1/2 when using straight oil depending upon viscosity and grain diameter .

To reduce the rate of exhausting sludge, the ratio of speed -reducing on the gear shall be increased to 1/900.